

ESSENTIAL CHARACTERISTICS

| | |
|--|---------------|
| Duration of operation | Pass |
| Provision for external conductors | Pass |
| Flammability of materials | Pass |
| Enclosure protection | Pass |
| Access | Pass |
| Manufacturer's adjustments | Pass |
| On-site adjustment of behaviour | Pass |
| Requirements for software controlled devices | Pass |
| Coverage volume | Pass |
| Variation of light output | Pass |
| Minimum and maximum light intensity | Pass |
| Light colour | White |
| Light temporal pattern / frequency of flashing | Pass / 1,5 Hz |
| Marking and data | Pass |
| Synchronization | Pass |
| Temperature resistance | Pass |
| Humidity resistance | Pass |
| Shock and vibration resistance | Pass |
| Corrosion resistance | Pass |
| Electrical stability | Pass |



1328-CPR-0421

LED signalisatiemodule met hoge lichtoutput (Type B) conform EN 54-23:2010
Avertisseur lumineux pour Alarme Incendie (Type B), conformément à EN 54-23:2010
Feueralarm optische Gerät (Typ B), EN 54-23:2010 entsprechenden
Fire Alarm visual device (Type B), conform to EN 54-23:2010

INSTALLATIE MOET GEDAAN WORDEN DOOR GEKwalificeerd personeel - L'INSTALLATION DOIT ÊTRE EFFECTUÉE PAR PERSONNEL QUALIFIÉ
 INSTALLATION IST VON EINER FACHKRAFT VORZUNEHMEN - INSTALLATION HAS TO BE DONE BY QUALIFIED PERSONNEL.

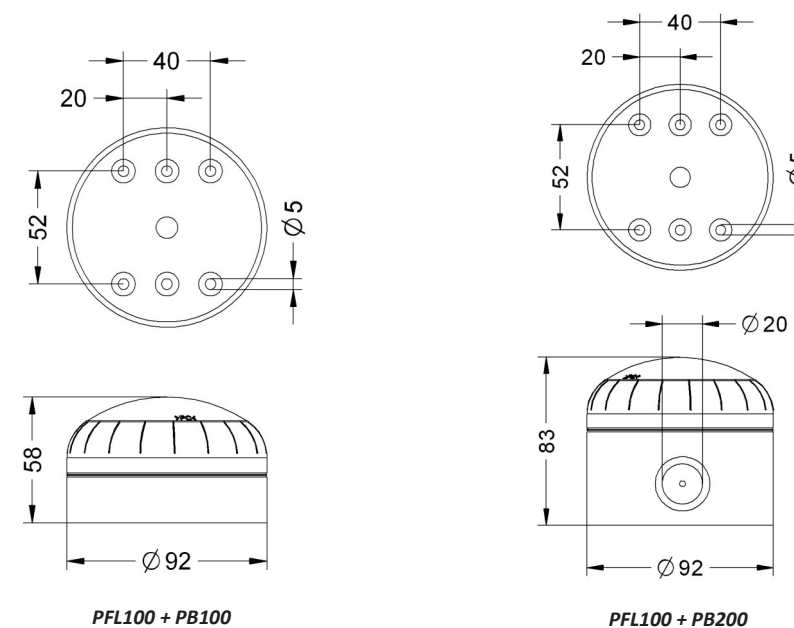
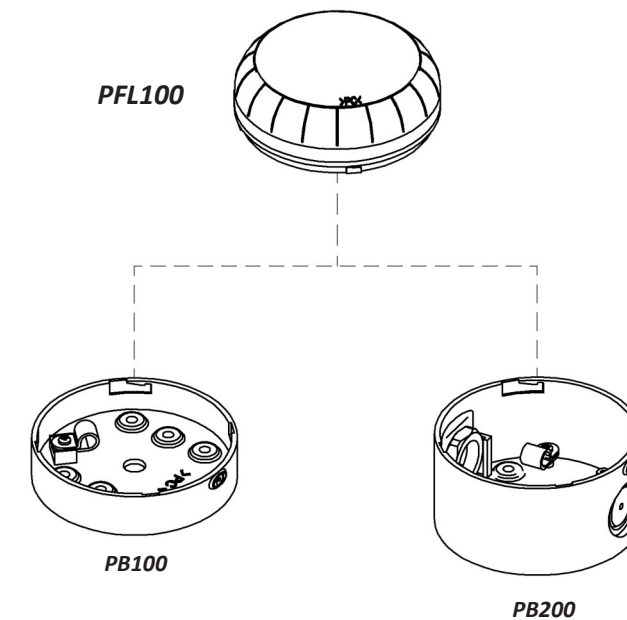
NIET BIJ HET RESTAFVAL GOOIEN - NE PAS ELIMINER COMME DECHET URBAIN



PFL100

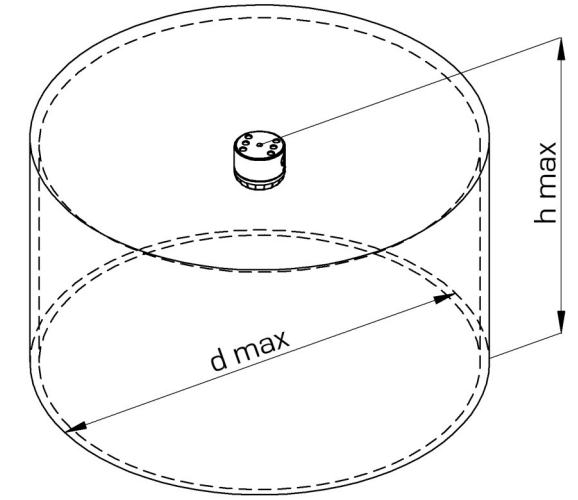
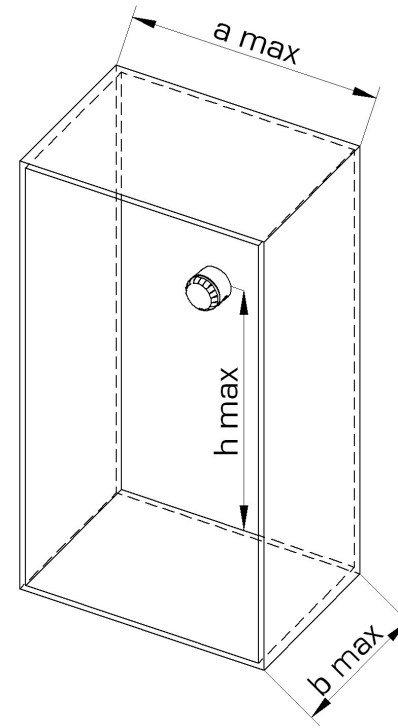
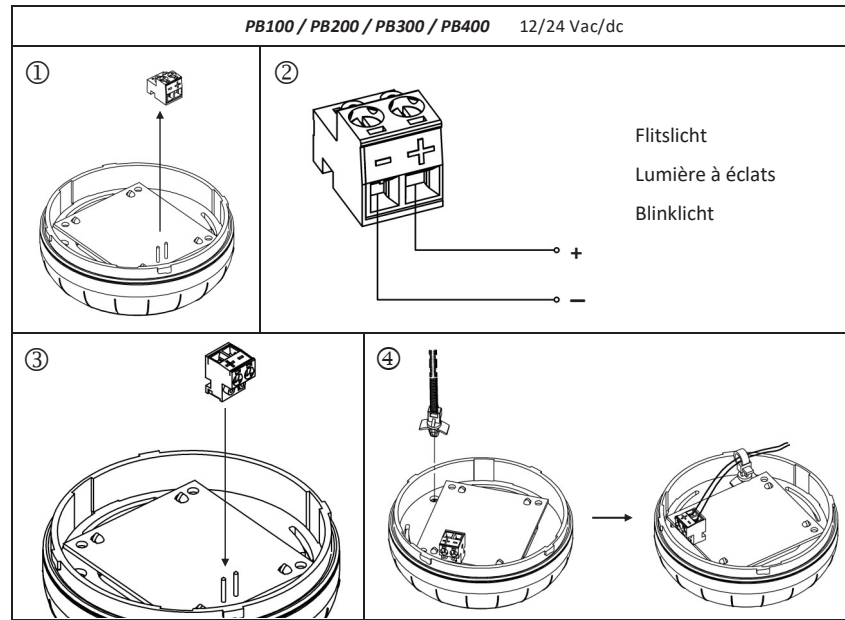


INSTALLATIE- EN GEBRUIKSHANDLEIDING - INSTRUCTIONS D' INSTALLATION ET D' UTILISATION

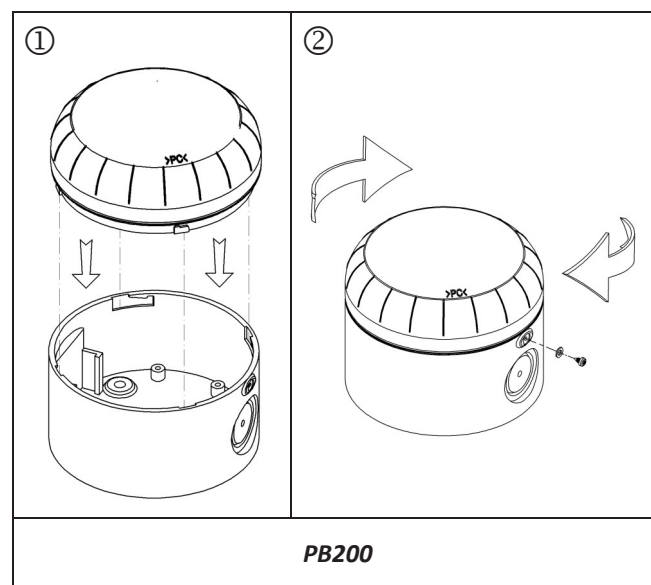
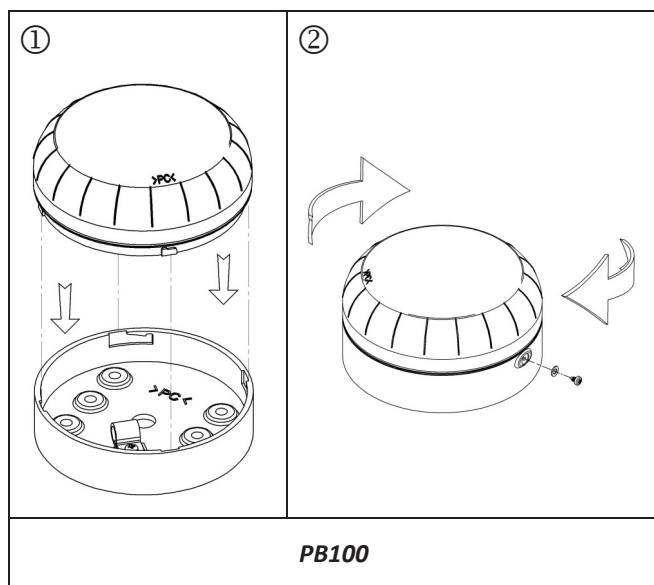


| | |
|--------|-----------|
| Vac/dc | 24 |
| mA | 150 |
| ° C | -30° +70° |





SLUITING MODULE/SERRAGE DU DÔME/ANZIEHEN DER HAUBE/DOME TIGHTENING



| Montage categorie Categorie d'installation Befestigung Kategorie Mounting Category | h_{max} (m) | a_{max} (m) | b_{max} (m) | d_{max} (m) |
|---|-------------------------------|-------------------------------|-------------------------------|-------------------------------|
| W Wall Mount LT PB100 / PB200 | 2,4 | 3,6 | 3,6 | — |
| C Ceiling Mount LT PB100 / PB200 | 3 | — | — | 5 |
| O Freely selectable mounting position LT PB100 / PB200 | 2,4 | 3,6 | 4,1 | — |

h_{max}: max. mounting height

a_{max}: max. room width

b_{max}: max. room depth

d_{max}: max. diameter